

## Poettker SFM mechanizm składany, komplet do 1 wkładki



### Parametry

Marka	Poettker
Strona katalogu	6.10
Oznaczenie producenta	15072

### Opis produktu

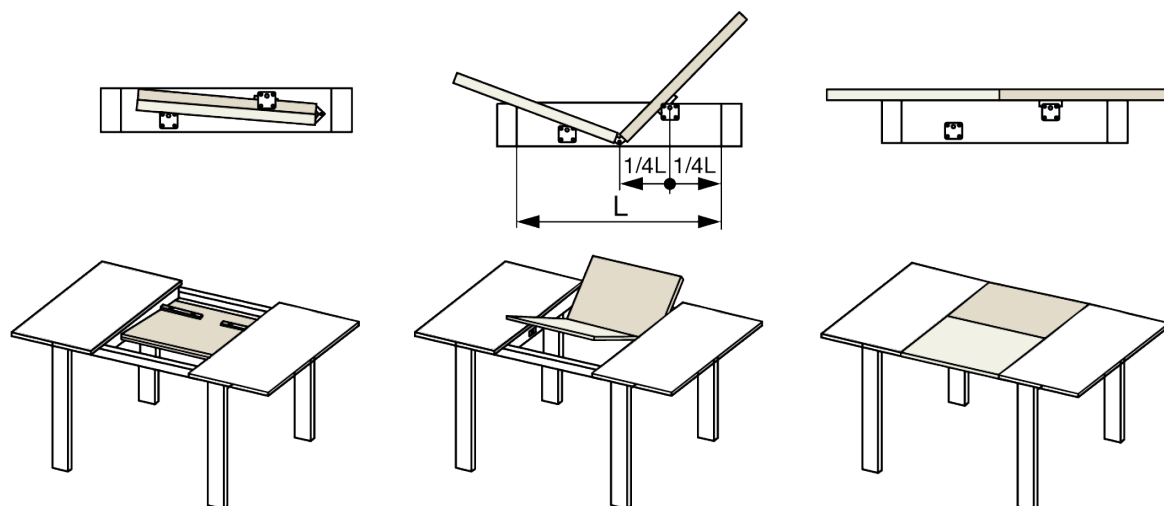
Poettker SFM Folding Mechanism Optimize your folding tables with these special hinges, designed for assembling wooden inserts. One set is sufficient for one insert. The hinges are installed on one half of the folding insert, while it's recommended to use a plastic support rocker with a sliding surface (F004841) for the other half. Key Features: One Set Per Insert: Sufficient for assembling one wooden insert. Easy Installation: Install on one half of the folding insert. Recommended Accessory: Use plastic support rocker F004941 for the other half. Durable Construction: Ensures reliable and long-lasting performance.

### Aksesoria

**Poettker L wahacz z tworzywa sztucznego z filcem i śrubą**  
F004841

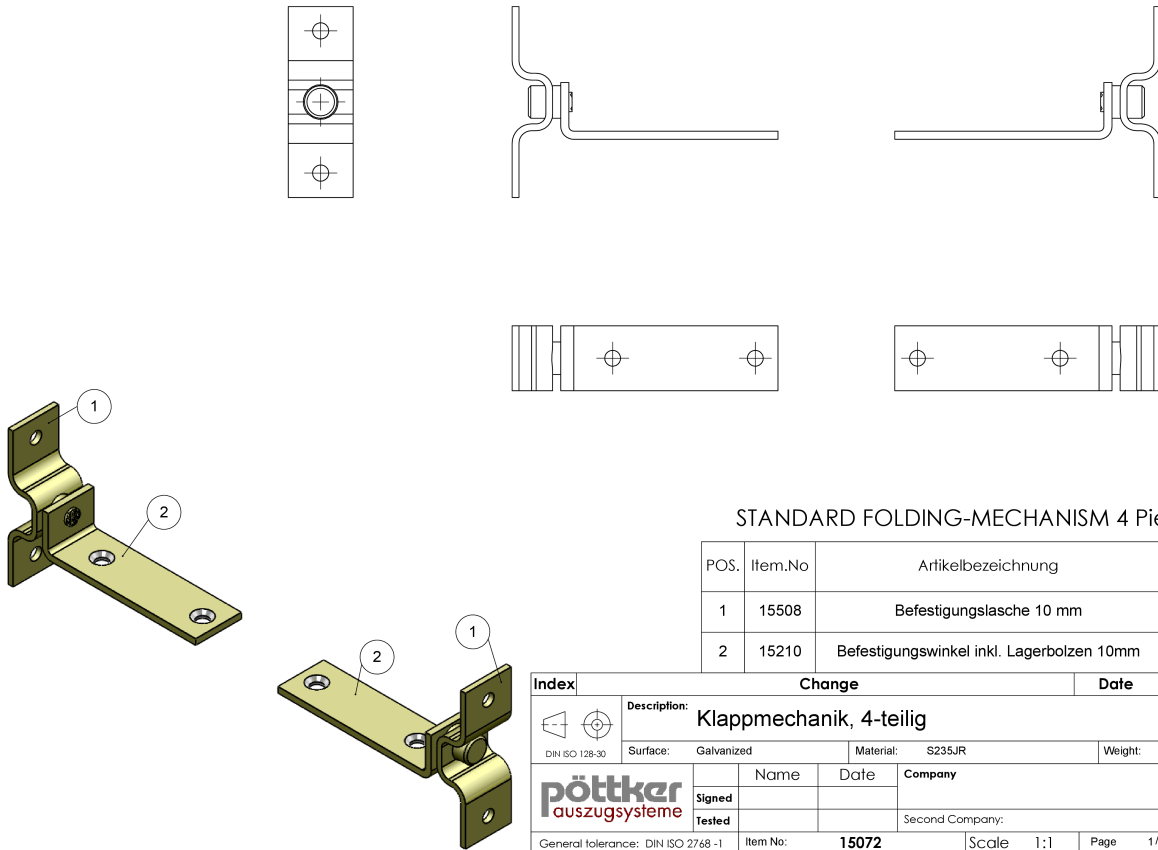


Rysunek 2D



Pöttker Auszugssysteme GmbH, Ostentfeldmark 3, 59557 Lippstadt, Tel: +49(0) 29 41 - 20 95 00, Fax: +49(0) 29 41 - 7 78 57, Email: info@poettker.com

All property rights and rights to exploitation of copyright for this drawing data remain ours; they may not be made available to third parties without our consent.



### STANDARD FOLDING-MECHANISM 4 Piece Set

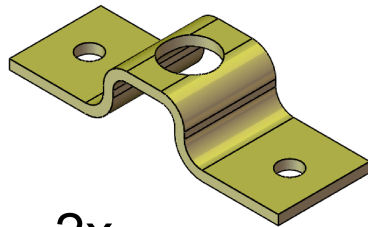
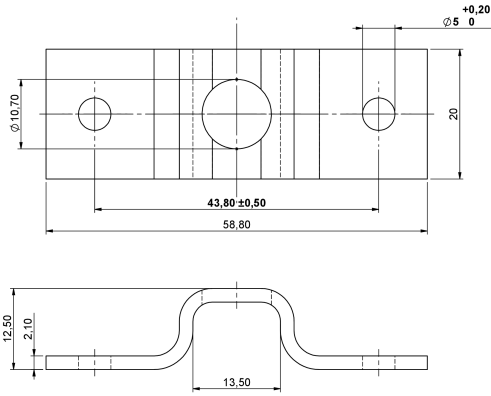
POS.	Item.No	Artikelbezeichnung	Mengex2
1	15508	Befestigungslasche 10 mm	2
2	15210	Befestigungswinkel inkl. Lagerbolzen 10mm	2

Index	Change	Date	Name
<b>Description:</b> Klappmechanik, 4-teilig DIN ISO 128-30 Surface: Galvanized Material: S235JR Weight: 0.12 kg			
<b>pöttker</b> auszugssysteme		Name Date Company	Signed Tested Second Company:
General tolerance: DIN ISO 2768 -1 Item No: <b>15072</b>		Scale 1:1	Page 1 / 2 <b>A3</b>

J:\Administrativer Zeichnungsordner\HP & Katalog\Klappmechaniken\4. FM - 4 Piece Set\Klappmechanik\_einfach\_4-teilig (15072)

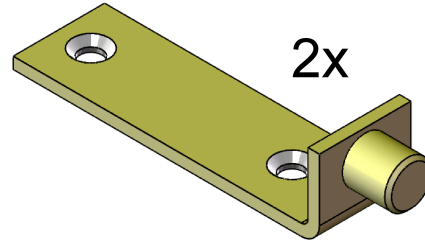
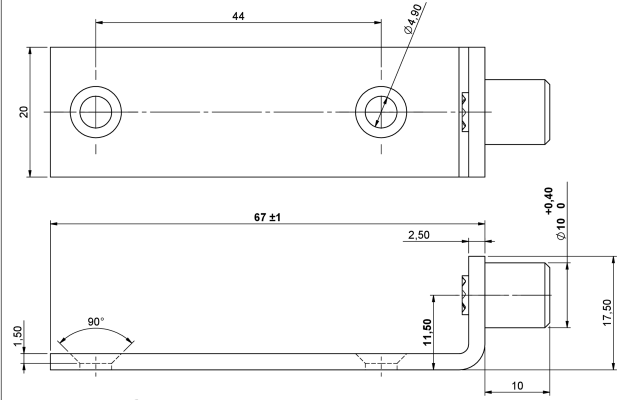
Pöttker Auszugssysteme GmbH, Ostentfeldmark 3, 59557 Lippestadt, Tel: +49(0) 29 41 - 20 95 00, Fax: +49(0) 29 41 - 7 78 57, Email: info@poettker.com

## Befestigungsglasche 10 mm (15508)



2x

## Gegenlager Klappmechanik/Plocica 10mm (15214)



2x

All property rights and rights to exploitation of copyright for this drawing data remain ours; they may not be made available to third parties without our consent.

Index	Change	Date	Name
Description: <b>Klappmechanik, 4-teilig</b>			
DIN ISO 128-30	Surface: Galvanized	Material: S235JR	Weight: 21.62 kg
	Signed	Name	Date
	Tested		
	Second Company:		
General tolerance: DIN ISO 2768 -1		Item No: <b>15072</b>	Scale: 2:1
		Page: 2 / 2	<b>A3</b>

J:\Administrativer Zeichnungsordner\VP & Katalog\Klappmechaniken\4. FM - 4 Piece Set\Klappmechanik\_einfach\_4-teilig (15072)\EINZELTEILE\