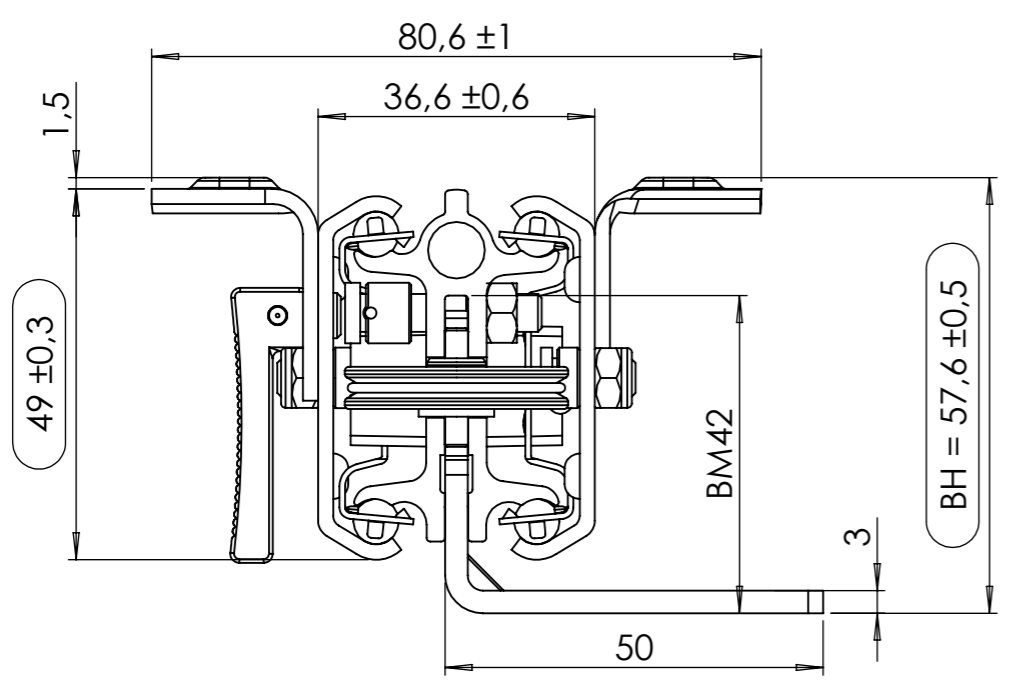
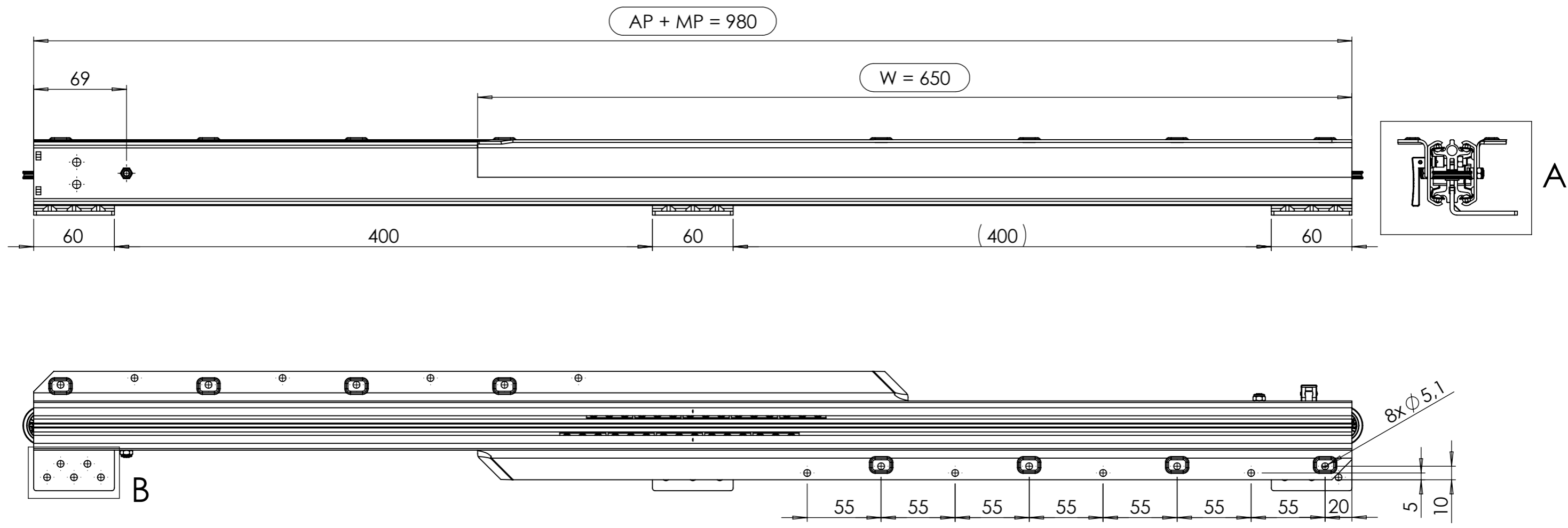
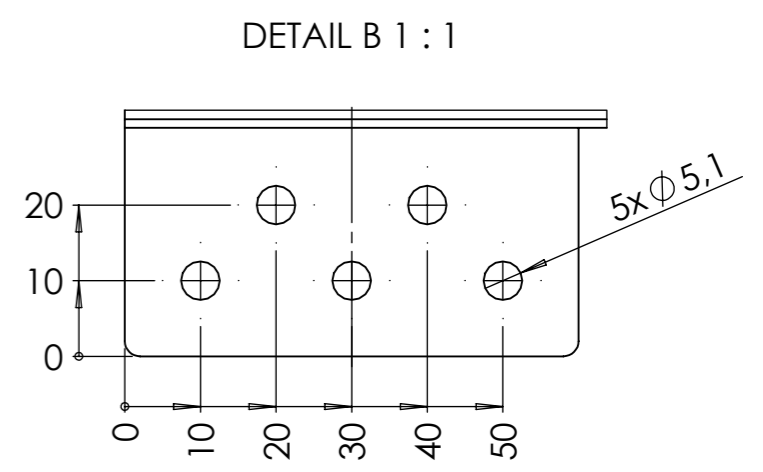


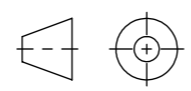

All property rights and rights to exploitation of copyright for this drawing data remain ours; they may not be made available to third parties without our consent.



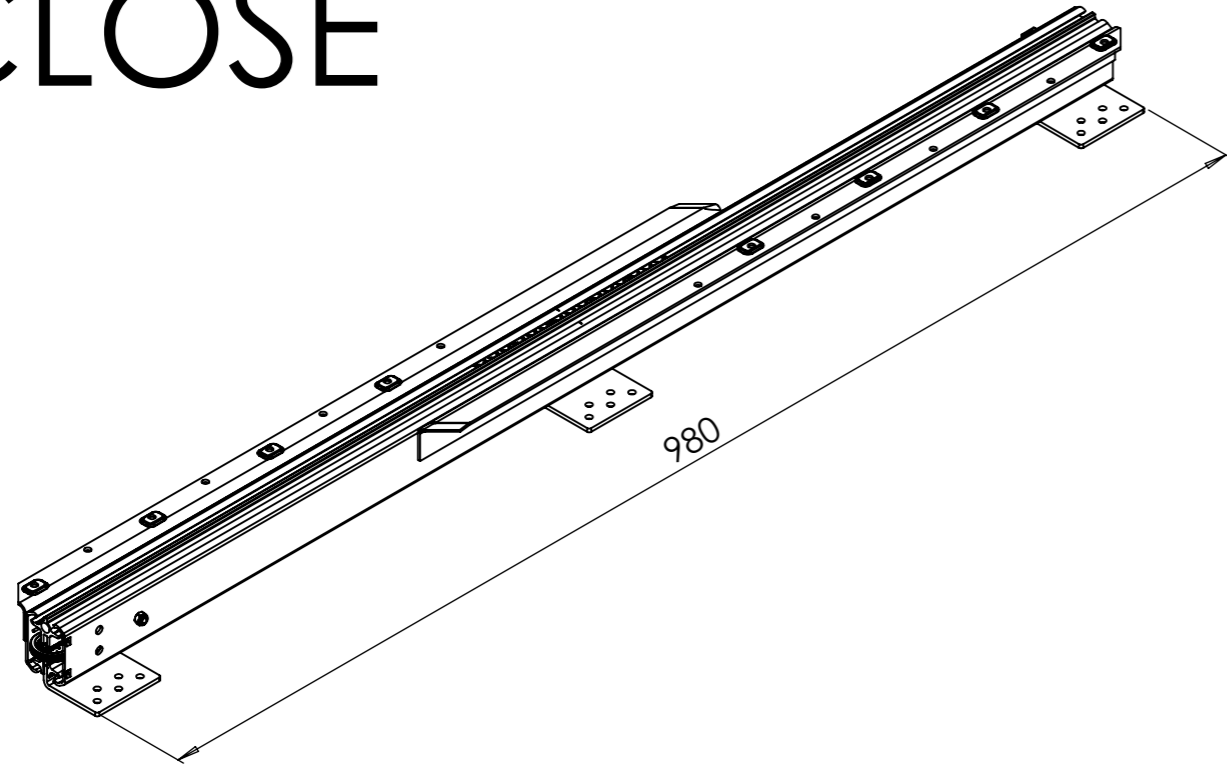
DETAIL A 1 : 1

opening : ca. 1543 mm



Index	Change			Date	Name
 DIN ISO 128-30	Description: K-SB/980.4/980.A4/W650/KK5/BH58				
	Surface: diverse		Material: diverse		Weight: 4.15 kg
 Transforming furniture	Name	Date	Company		
	Signed	Jakub P.	21.10.2021	HRANIPEX	
General tolerance: DIN ISO 2768 - m		Item No:	47098918	Scale	1:3
		Tested		Second Company:	
		Page	1/3	A3	

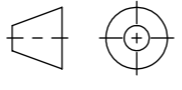

CLOSE



ca. 2523
OPENING = ca. 1543

OPEN

All property rights and rights to exploitation of copyright for this drawing data remain ours; they may not be made available to third parties without our consent.

 DIN ISO 128-30	Description: K-SB/980.4/980.A4/W650/KK5/BH58				
	Surface: diverse		Material: diverse		Weight: 4.15 kg
 Transforming furniture	Name	Date	Company		
	Signed Jakub P.	21.10.2021	HRANIPEX		
	Tested	Second Company:	Second Company:		
General tolerance: DIN ISO 2768 - m		Item No: 47098918	Scale 1:5	Page 2/3	A3